

65 YEARS ^{1 9 5 2}/_{2 0 1 7}

SHAPING THE FUTURE

Riera Nadeu 

**INNOVATION
FROM BARCELONA**

**MORE THAN
2000 PROJECTS
WORLDWIDE**

**QUALITY
EQUIPMENT
SINCE 1952**

**TAYLOR
MADE
PROJECTS**

**LOW
MAINTENANCE
MACHINES**

**ENERGY
EFFICIENT
SOLUTIONS**

BATCH CENTRIFUGES®

200

_ Since 1952



INNOVATIONS

_ Inertia base as structural part of the machine

BENEFITS

- _ Reliable & simple
- _ Multipurpose
- _ Ideal for filtering but non scrapping products
- _ Easy product change
- _ Versatile

CLIENTS

MERCK

ESTEVE

 **INFAR S.A.**

GRIFOLS

 **MOEHS**
FINE CHEMICALS

200

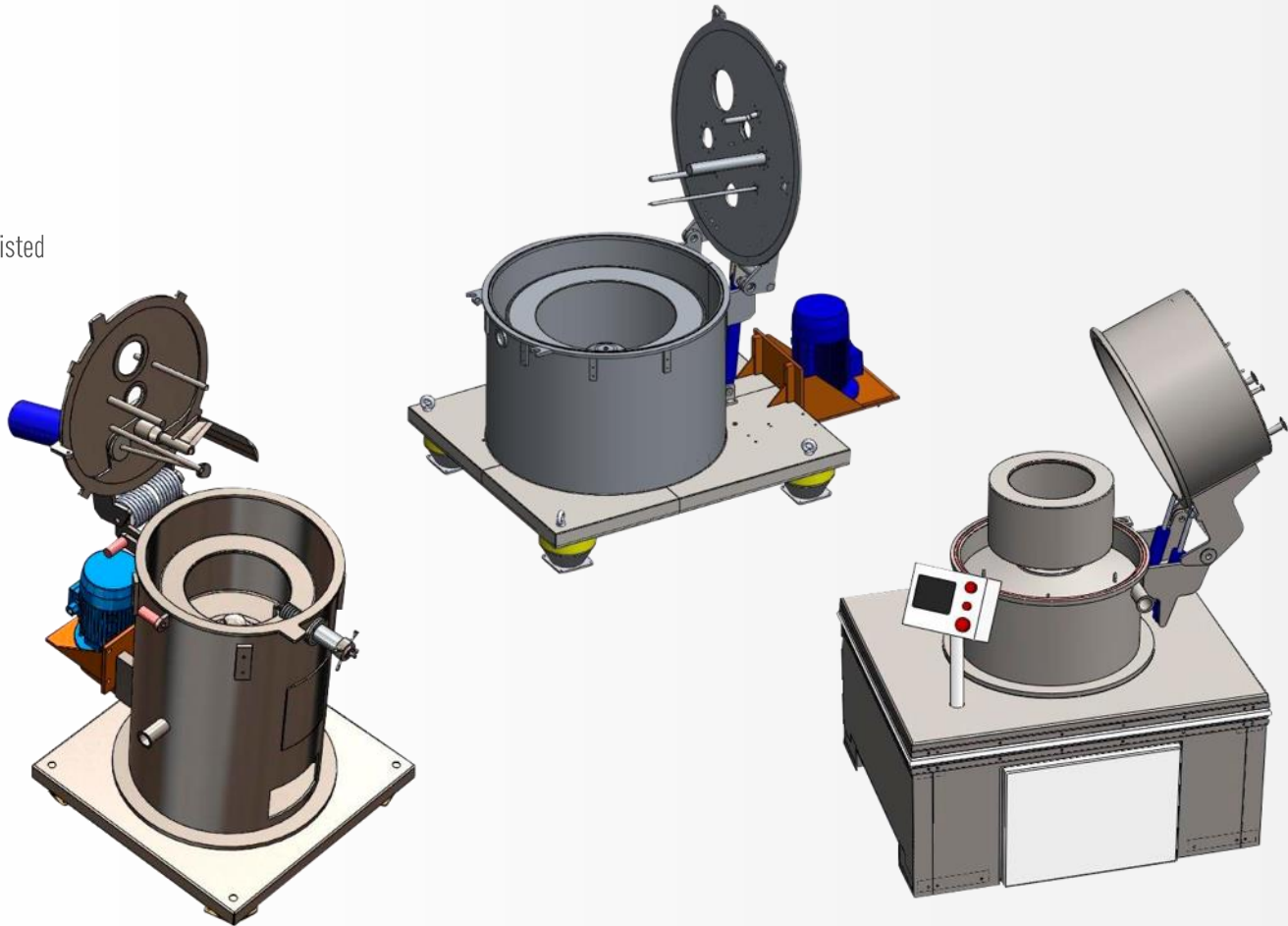
_Vertical batch centrifuges manual discharge



Full opening lid or casing

Manual or hydraulically assisted

Filtering or decanting type



200

_Installation:  **INFAR S.A.**



200

_Product range



MODELS

MODELS	BASKET Ø mm	BASKET HEIGH Ø mm	ESPOSOR DE CAPA mm	CAPACIDAD dm3	DENSIDAD Kg/m3	CARGA Kg	SUPERFICIE FILTRANTE dm2	VELOC. rpm	FACTOR CENTRÍ- FUGO g	SIGMA EN PARED BASKET	PESO Kg	MEDIDAS ANCH/LONG/ALT mm
200F/D250	250	150	35	3,5	1250	4,4	11,78	3600	1800	212	50	400x500x500
200F/D400	400	200	60	12,0	1250	15,0	25,13	2500	1390	349	150	600x800x750
200F/D500	500	250	75	25,0	1250	31,3	39,27	2475	1700	668	300	700x1000x850
200F/D600	600	350	90	50,0	1250	62,5	65,97	2450	2000	1320	400	800x1200x750
200F/D650	650	400	120	68,0	1250	85,0	81,68	2400	2080	1380	450	800x1200x800
200F/D700	700	350	105	68,0	1250	85,0	76,97	2270	2000	1540	500	900x1300x1000
200F/D800	800	400	120	100,0	1250	125,0	100,53	1575	1103	1108	3450	1500x2050x1200
200F1000	1000	500	150	200,0	1250	250,0	157,08	1100	672	NA	5200	1800x2450x2000
200F1200	1250	625	185	390,0	1250	487,5	245,44	1050	766	NA	6200	2000x2526x2420
200F1400	1400	700	210	550,0	1250	687,5	307,88	800	498	NA	6800	2100x3050x2475



300

_Since 1972



INNOVATIONS

- _ Modular concept
- _ Customizable
- _ Machine adapted to the process
- _ Oil free double effect scrapper (patent pending)
- _ Base frame as structural part of the machine.
- _ All parts in contact with the product are massive. No lined parts

BENEFITS

- _ Full automatic batch
- _ Regenerative converter in all models as standard
- _ Widest range of machines sizing
- _ From 500 up to 1800 mm basket diameter
- _ Different heights with same basket diameter
- _ High g factor

CLIENTS



300

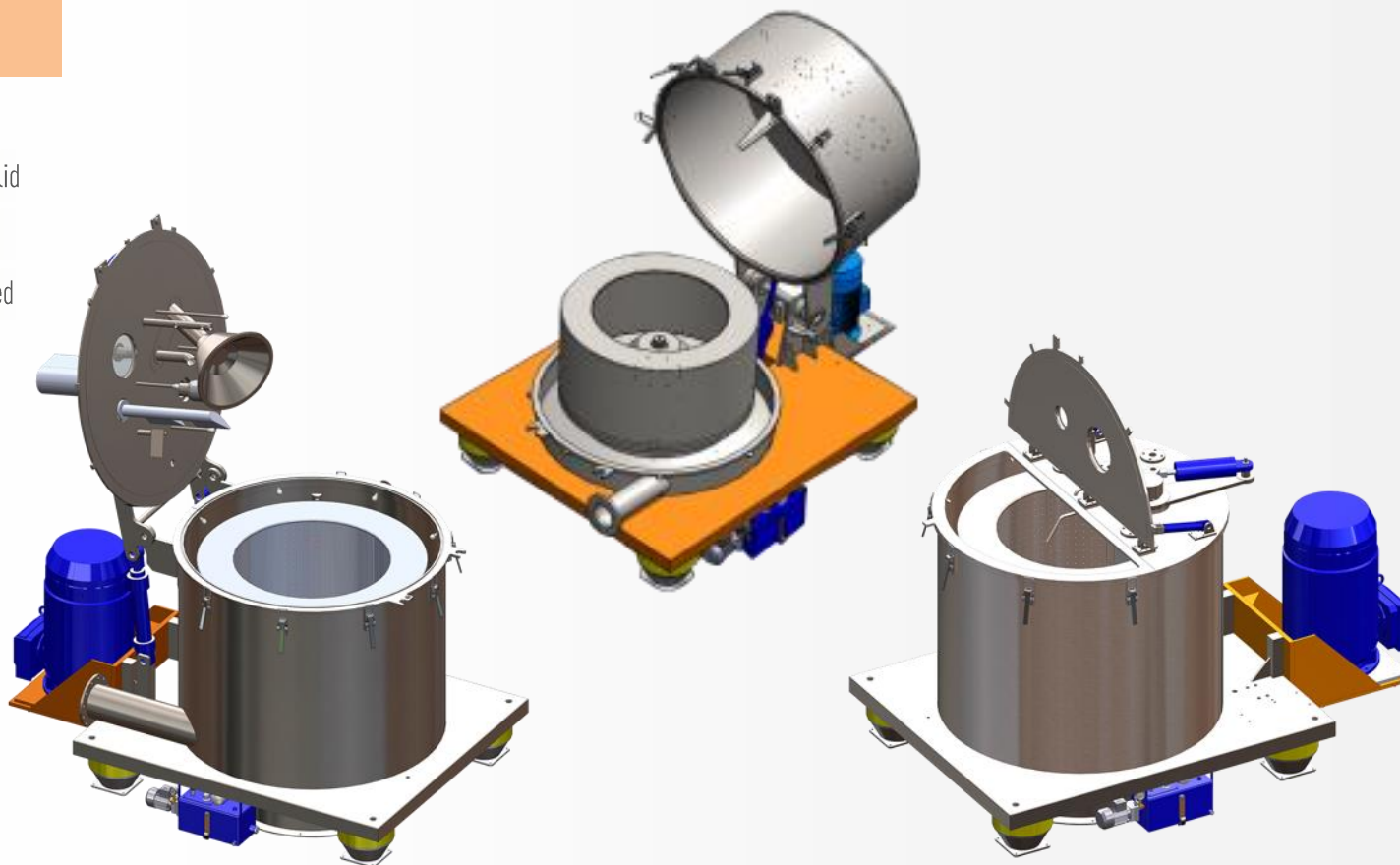
_Full automatic vertical batch centrifuges



Full or half opening lid

Full opening casing

Hydraulically assisted



300

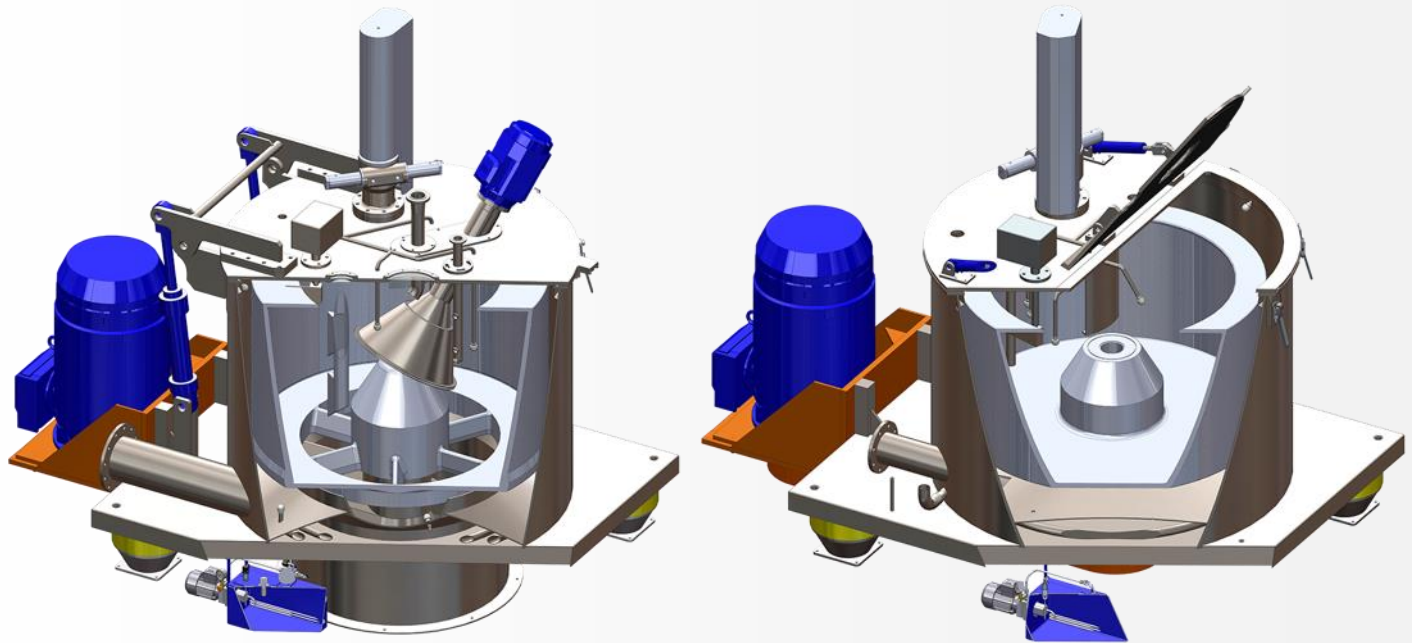
_Full automatic batch centrifuges



Bottom or top discharge

Dynamic or static feeding system

CIP



300

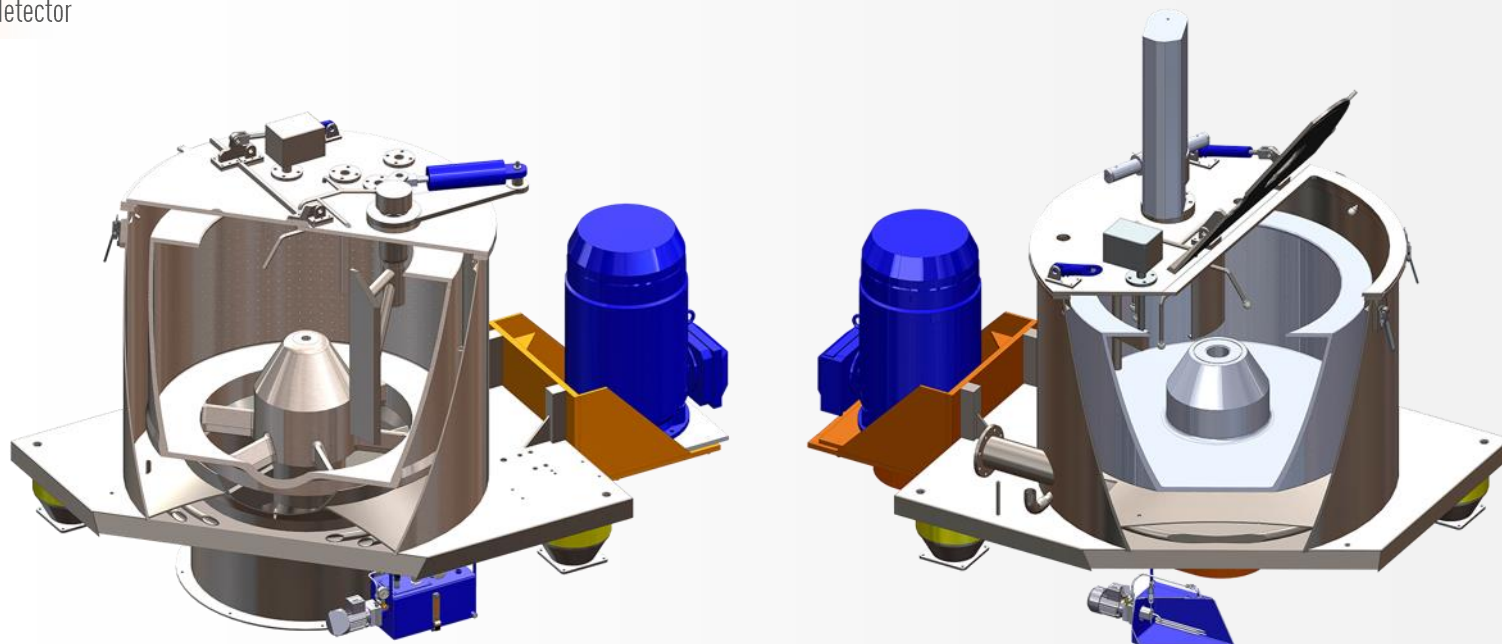
_Full automatic batch centrifuges



Oil free double effect scrapper

Oil free simple effect scrapper

Automatic feed detector





300

_Product range



MODELS

BASKET Ø mm	BASKET HEIGH Ø mm	NOMINAL VOLUME Lts.	FILTERING SURFACE m2	BASKET RPM	G FACTOR UP TO	BASKET Inch	BASKET HEIGH Inch	VOLUME Cu. Ft.	FILTERING SURFACE Sq ft.
650	325	50	0,66	3000	3250	25	13	1,77	7,14
800	400	100	1,01	2600	3000	32	16	3,53	10,82
1000	500	200	1,57	1800	1800	40	20	7,06	16,91
1250	500	300	1,96	1315	1200	49	20	10,59	21,11
1250	625	390	2,45	1315	1200	49	25	13,77	26,42
1250	700	430	2,75	1315	1200	49	28	15,19	29,59
1250	800	500	3,14	1315	1200	49	32	17,66	33,82
1250	1000	625	3,93	1315	1200	49	40	22,07	42,27
1400	700	550	3,08	1315	1000	55	28	19,42	33,14
1400	800	625	3,52	1315	1000	55	32	22,07	37,87
1500	750	675	3,53	1100	1000	59	30	23,84	38,04
1600	800	700	4,02	1100	1000	63	32	24,72	43,28
1600	1000	1000	5,03	1060	1000	63	40	35,31	54,10
1800	900	1095	5,09	1000	1000	70	35	38,67	54,78
1800	1000	1200	5,65	1000	1000	70	40	42,38	60,87

700

_ Since 1975



INNOVATIONS

- _ Flattest machine in the market
- _ Plug & play concept
- _ First centrifuge with RIO in the market
- _ Bearings sealing system status detection
- _ Possibility to change sealing system without dismantling the bearing box

BENEFITS

- _ Regenerative converter in all models as standard
- _ From 350 up to 2000 mm basket diameter
- _ Either top or bottom discharge
- _ Easy installation
- _ All peripherals located in the machine full operative. Machine only need services to run

CLIENTS



700

_Horizontal peelers

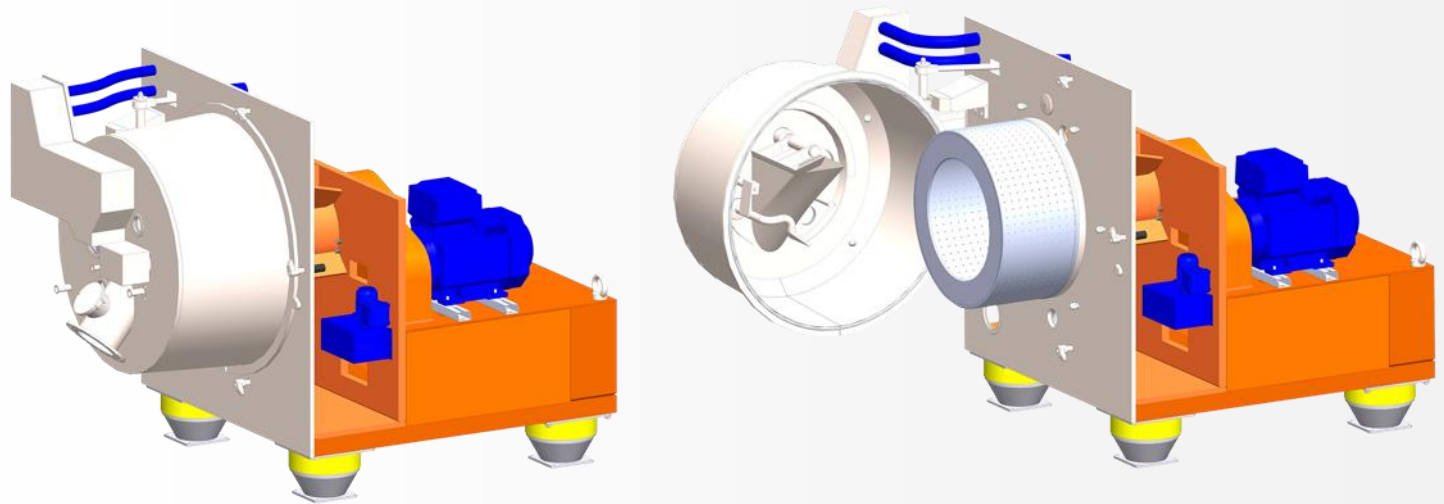


Through the wall design

Full opening casing (left or right hand)

Flattest design in the market

All in one concept



700

_Horizontal peelers



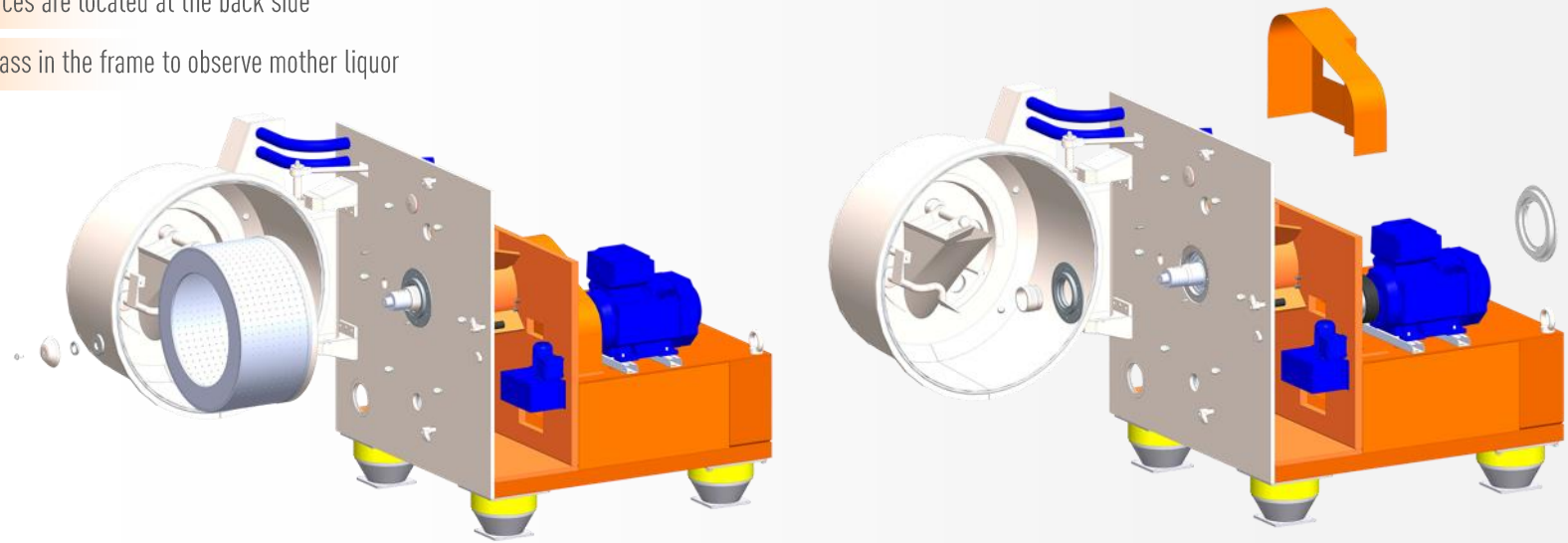
Easy maintenance

Possibility to change sealing system w/o dismantling the bearing box

All elements are removable

All services are located at the back side

Sight glass in the frame to observe mother liquor



700

_Installation **MERCK**



700

_Product range



MODELS

BASKET Ø mm	BASKET HEIGH Ø mm	NOMINAL VOLUME Lts.	FILTERING SURFACE m2	BASKET RPM	G FACTOR UP TO	BASKET Inch	BASKET HEIGH Inch	VOLUME Cu. Ft.	FILTERING SURFACE Sq ft.
350	220	10	0,24	3950	3000	14	9	0,35	2,60
500	250	25	0,39	3500	2720	20	10	0,88	4,23
650	325	50	0,66	3000	3250	25	13	1,77	7,14
800	400	100	1,01	2600	3000	32	16	3,53	10,82
1000	500	200	1,57	1800	1800	39	20	7,06	16,91
1250	625	390	2,45	1200	1200	49	25	13,77	26,42
1400	700	550	3,08	1315	1000	55	28	19,42	33,14
1400	800	625	3,52	1135	1000	55	32	22,07	17,87
1500	750	675	3,53	1100	1000	59	30	23,84	38,04
1600	800	700	4,02	1100	1000	63	32	24,72	43,28
2800	900	1095	5,09	1000	1000	71	35	38,67	54,78
2000	1000	1400	6,91	950	1000	79	40	49,44	74,39